

# PD1022

Network PTZ dome camera, 25x zoom, 2MP, IR, IP65

## DESCRIPTION

The PD1022 is a compact PTZ dome that is suitable for indoor and outdoor usage. With its 25x optical zoom block, it can stream full HD (1920x1080) resolution images from up close and far away. The camera supports the latest technology such as H.265, and intelligent H.265i for an even better compression of the video stream; to save bandwidth and storage requirements. The PD1022Z3-EI offers many image enhancement techniques, such as BLC and HLC, Electronic Image Stabilisation, Defog and 3D DNR. The PD1022 is compact and resist impact up to IK10 while the mechanics can only endure the low-pressure water jets from any direction and can configure up to 24 privacy masks.

## FEATURES

---

1/2.8 Progressive scan CMOS

---

4.8 to 120 mm zoom lens

---

2 MP @ 60 fps (1920 x 1080)

---

120 dB WDR

---

Triple-stream H.265, H.264 and MJPEG video

---

Day/Night with IR-cut filter / WDR / BLC

---

Electronic Image Stabilisation

---

ONVIF Profile S conformant

---



Camera	
Image sensor	1/2.8 Progressive scan CMOS
Effective pixels	1920 (H) x 1080 (V)
Zoom	25x optical zoom, 16x digital zoom
Minimum scene illumination	0.05 lux colour, 0.01 lux B/W (@ F1.6, AGC on)
Shutter speed	1 - 1/30,000 s
Lens	Auto Iris (DC)
Lens type	4.8 mm to 120 mm, F1.6
Horizontal field of view	64.5° (W) 2.9° (T)

Pan / Tilt	
Pan travel	360° Continuous
Tilt travel	-5° ~ 90°
Manual speed	Pan: 0.1° ~ 300°/s, tilt: 0.1° ~ 160°/s tilt
Presets	300 Presets
Cruise	4
Sequence	8
Autopan	Yes
Speed by zoom	On/Off
Resume after power loss	Yes
Park function	Preset / Pattern Scan / Patrol Scan / Auto Scan / Tilt Scan / Random Scan / Frame Scan / Panorama Scan
PTZ by scheduled	Preset / Pattern Scan / Patrol Scan / Auto Scan / Tilt Scan / Random Scan / Frame Scan / Panorama Scan
PTZ position OSD	On / off / temporarily

Functions	
Privacy masks	24
Text and picture overlay	Name, Date + time, Day of week, 4x text overlay (44 characters each)
Video motion detection	On / off / by schedule
Video motion detection alarm	Alarm output, record video clip, send alarm message, upload image
Tampering detection	On / off / by schedule
Tampering detection alarm	Alarm output, send alarm message
Exceptions	
HHD full / HHD error	On / off
HHD full / HHD error alarm	Alarm output, send alarm message
Network failure detection	On / off
Network failure detection alarm	Alarm output
IP conflict detection	On/Off
IP conflict detection alarm	Alarm output
Illegal login detection	On / off
Illegal login detection alarm	Alarm output, send alarm message

### Image control

# Specs



Image control	
Wide dynamic range	On / off
WDR value	>120 dB (in WDR dual shutter mode)
Backlight compensation	BLC, HLC
White balance	Auto / manual / outdoor / indoor / fluorescent lamp / sodium lamp / ATW
Exposure control	Auto, Manual Iris priority, Shutter priority (includes limits for exposure level, iris and gain)
Slow shutter	On/Off
Focus	Auto /manual / semi-auto
Brightness	Manual
Contrast	Manual
Saturation	Manual
Sharpness	Manual
Day/Night function	Auto / night / day / schedule
Noise reduction	On / off / expert Defog On / off
Electronic Image Stabilisation	On / off
Image rotation	Normal/ rotate 180

Video	
Compression algorithm(s)	H.265 (main profile) / H.264 (basic / main / high profile) / MJPEG
Low bit rate encoding	H.265, H.264+
Supported resolutions	
Main Stream (up to 50 / 60 fps)	19201080, 1280960, 1280720
Sub Stream (up to 25 / 30 fps)	704576, 640480, 352288 in 50Hz mode 704480, 640480, 352240 in 60Hz mode
Third Stream (up to 25 / 30 fps)	19201080, 1280960, 1280720, 704576, 640480, 352288 (50Hz mode) 19201080, 1280960, 1280720, 704480, 640480, 352240 (60 Hz mode)
MJPEG	Available in sub stream or third stream
Compression bit rate control	Constant bit rate (CBR), variable bit rate (VBR)
Output bit rate (per H.264 stream)	Up to 16384 kbit/s
Number of video output streams	Up to 20 (RTSP)
Total output data rate (max)	50000 kbit/s

Audio	
Two-way audio	line in / line out
Compression	G.726 / G.711 ( $\mu$ -law, a-law) / MP2L2/ PCM/ G.722.1
Input level	Adjustable gain
Connector type	Multifunction terminal block (IN, GND, OUT)

Alarm inputs/output	
Input	2x 0 - 5 V
Output	2x
Operational modes	Normally open; normally closed
Connector type	Multifunction terminal block Input: IN1, IN2, GND Output: OUT1, COM1, OUT2, COM2

Storage	
---------	--

# Specs



Storage	
Storage options	Supports up to 128 GB capacity of micro SD/SDHC/SDXC memory

Network	
Interface	10/100 Ethernet
Protocols	IPv4/IPv6, HTTP, HTTPS, 802.1x, Qos, FTP, SMTP, DNS, DDNS, NTP, RTSP, RTCP, RTP, TCP/IP, DHCP, PPPoE
Password levels	User and Administrator
Connector type	RJ45

Management	
Supported browsers	IE7+, Chrome18+, Firefox5.0+, Safari5.02+
Security	HTTPS, IP filter, login lock, PNAC (IEEE802.1x)
Protocols	UPnP, SNMP, Bonjour, ONVIF
Password levels	Administrator / operator / user
User accounts	32

Powering	
Power consumption	18 W
Power	12 Vdc, PoE+ (IEEE 802.3at, class 4)
Connector type	DC barrel connector

Environmental	
Operating temperature	-30 °C to +65 °C (-22 °F to +149 °F)
Ingress protection	IP65
IR distance	50 m

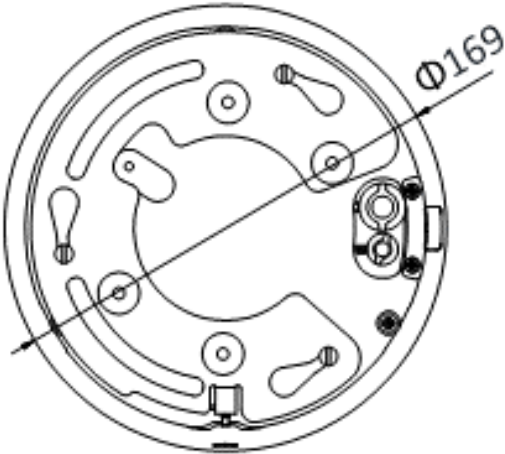
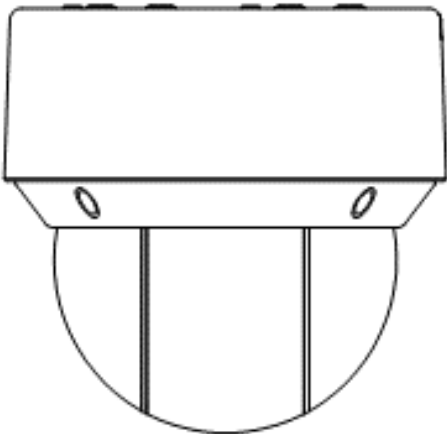
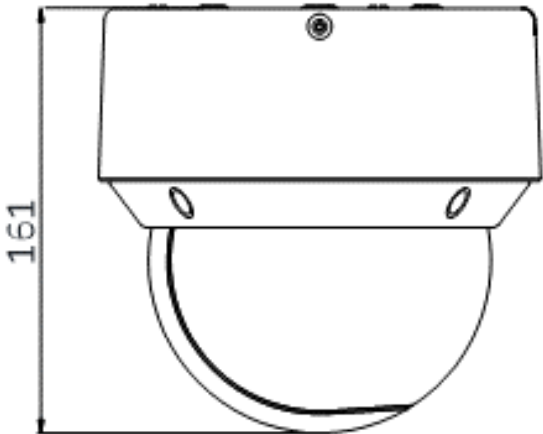
  

Mechanical	
Dimensions	diameter169 x 161 mm (diameter6.65 x 6.34 in)
Weight	2.45 kg (5.4 lbs)
Housing	Aluminum
Colour	RAL 9003 (signal white)

Order information	
PD1022	Network PTZ dome camera, 25x zoom, 2MP, IR, IP65

# PD1022 Dimension



Unit: mm

## RELATED

---



**TKHSecuritySolutions PD1022Z3-EI (End-of-Life)**  
Network PTZ dome camera, 20x zoom, 2MP, IR, IP66

---